

SFP+ 10G Passive 4MSFP+ 10G DAC Passive Copper Cable

SFP+-CA-P4M-T

(For Cisco, HP, Aruba, Juniper, PaloAlto, Fortigate and others brand compatible)



Features

- ◆ Support for multi-gigabit data rates up to 10 Gb/s
- ◆ Data rates backward compatible to 1 Gb/s
- ◆ Hot-pluggable SFP 20PIN footprint
- ◆ Improved Pluggable Form Factor (IPF) compliant for enhanced EMI/EMC performance
- ◆ Compatible to SFP+ MSA
- ◆ Compatible to SFF-8431, SFF-8432
- ◆ Temperature Range: 0~ 70 °C
- ◆ RoHS Compatible

Overview

The SFP+ passive cable assemblies are high performance, cost effective I/O solutions for 10G Ethernet and 10G Fiber Channel applications. SFP+ copper modules allow hardware manufactures to achieve high port density, configurability and utilization at a very low cast and reduced power budget.

The high speed cable assemblies meet and exceed Gigabit Ethernet and Fiber Channel industry standard requirements for performance and reliability.

Applications

- ◆ High capacity I/O in Storage Area Networks, Network Attached Storage, and Storage Servers
- ◆ Switched fabric I/O such as ultra-high bandwidth switches and routers
- ◆ Data center cabling infrastructure
- ◆ High density connection between network equipment

Ordering Information

Part Number	Product Description
SFP+-CA-P0.2M-T	SFP+ 10G Passive 0.2MSFP+ 10G DAC 0.2M10GDAC0.2mSFP+ to SFP+0~70°C30AWG
SFP+-CA-P0.5M-T	SFP+ 10G Passive 0.5MSFP+ 10G DAC 0.5M10GDAC0.5mSFP+ to SFP+0~70°C30AWG
SFP+-DAC-P0.65M-T	SFP+ 10G DAC 0.65M PassiveSFP+ 10G DAC 0.65M10GDAC0.65MSFP+ to SFP+0~70°C30AWG
SFP+-CA-P1M-T	SFP+ 10G DAC 1.2M PassiveSFP+ 10G DAC 1.2M10GDAC1.2MSFP+ to SFP+0~70°C30AWG
SFP+-DAC-P1.2M-T	SFP+ 10G DAC 1.2M PassiveSFP+ 10G DAC 1.2M10GDAC1.2MSFP+ to SFP+0~70°C30AWG
SFP+-CA-P1.5M-T	SFP+ 10G Passive 1.5MSFP+ 10G DAC 1.5M10GDAC1.5mSFP+ to SFP+0~70°C30AWG
SFP+-CA-P2M-T	SFP+ 10G Passive 2MSFP+ 10G DAC 2M10GDAC2mSFP+ to SFP+0~70°C30AWG
SFP+-CA-P2.5M-T	SFP+ 10G Passive 2.5MSFP+ 10G DAC 2.5M10GDAC2.5mSFP+ to SFP+0~70°C30AWG
SFP+-CA-P3M-T	SFP+ 10G Passive 3MSFP+ 10G DAC 3M10GDAC3mSFP+ to SFP+0~70°C30AWG

Datasheet

SFP+-CA24-P0.5M-T	SFP+ 10G Passive 0.5MSFP+ 10G DAC 0.5M10GDAC0.5mSFP+ to SFP+0~70°C24AWG
SFP+-CA24-P1M-T	SFP+ 10G Passive 1MSFP+ 10G DAC 1M10GDAC1mSFP+ to SFP+0~70°C24AWG
SFP+-CA24-P1.5M-T	SFP+ 10G Passive 1.5MSFP+ 10G DAC 1.5M10GDAC1.5mSFP+ to SFP+0~70°C24AWG
SFP+-CA24-P2M-T	SFP+ 10G Passive 2MSFP+ 10G DAC 2M10GDAC2mSFP+ to SFP+0~70°C24AWG
SFP+-CA24-P2.5M-T	SFP+ 10G Passive 2MSFP+ 10G DAC 2M10GDAC2mSFP+ to SFP+0~70°C24AWG
SFP+-CA24-P3M-T	SFP+ 10G Passive 3MSFP+ 10G DAC 3M10GDAC3mSFP+ to SFP+0~70°C24AWG
SFP+-CA-P3.5M-T	SFP+ 10G Passive 3.5MSFP+ 10G DAC 3.5M10GDAC3.5mSFP+ to SFP+0~70°C24AWG
SFP+-CA-P4M-T	SFP+ 10G Passive 4MSFP+ 10G DAC 4M10GDAC4mSFP+ to SFP+0~70°C24AWG
SFP+-CA-P5M-T	SFP+ 10G Passive 5MSFP+ 10G DAC 5M10GDAC5mSFP+ to SFP+0~70°C24AWG
SFP+-CA-P6M-T	SFP+ 10G Passive 6MSFP+ 10G DAC 6M10GDAC6mSFP+ to SFP+0~70°C24AWG
SFP+-CA-P7M-T	SFP+ 10G Passive 7MSFP+ 10G DAC 7M10GDAC7mSFP+ to SFP+0~70°C24AWG
SFP+-CA-P10M-T	SFP+ 10G Passive 10MSFP+ 10G DAC 10M10GDAC10mSFP+ to SFP+0~70°C24AWG

Recommended Operating Conditions

Parameter	Symbol	Min	Typical	Max	Unit
Storage Ambient Temperature		-40		+85	°C
Operating Case Temperature	Tc	0		+70	°C

Systems

Performance	Media
10 Gb/s line speed, full duplex Bit error rate: better than 10E-12	Hot-pluggable, industry-standard Small Form-Factor Pluggable(SFP+) copper cable, available as 5m.

Pin Descriptions

Pin	Logic	Symbol	Name/Description	Notes
1		VeeT	Transmitter Ground	
2	LV-TTL-O	TX_Fault	N/A	1
3	LV-TTL-I	TX_DIS	Transmitter Disable	2
4	LV-TTL-I/O	SDA	Tow Wire Serial Data	
5	LV-TTL-I	SCL	Tow Wire Serial Clock	
6		MOD_DEF0	Module present, connect to VeeT	
7	LV-TTL-I	RS0	N/A	1
8	LV-TTL-O	LOS	LOS of Signal	2
9	LV-TTL-I	RS1	N/A	1
10		VeeR	Reciever Ground	
11		VeeR	Reciever Ground	
12	CML-O	RD-	Reciever Data Inverted	

Datasheet

13	CML-O	RD+	Receiver Data Non-Inverted
14		VeeR	Receiver Ground
15		VccR	Receiver Supply 3.3V
16		VccT	Transmitter Supply 3.3V
17		VeeT	Transmitter Ground
18	CML-I	TD+	Transmitter Data Non-Inverted
19	CML_I	TD-	Transmitter Data Inverted
20		VeeT	Transmitter Ground

Note:

1. Signals not supported in SFP+ Copper pulled-down to VeeT with 30K ohms resistor
2. Passive cable assemblies do not support LOS and TX_DIS

Mechanical Dimensions

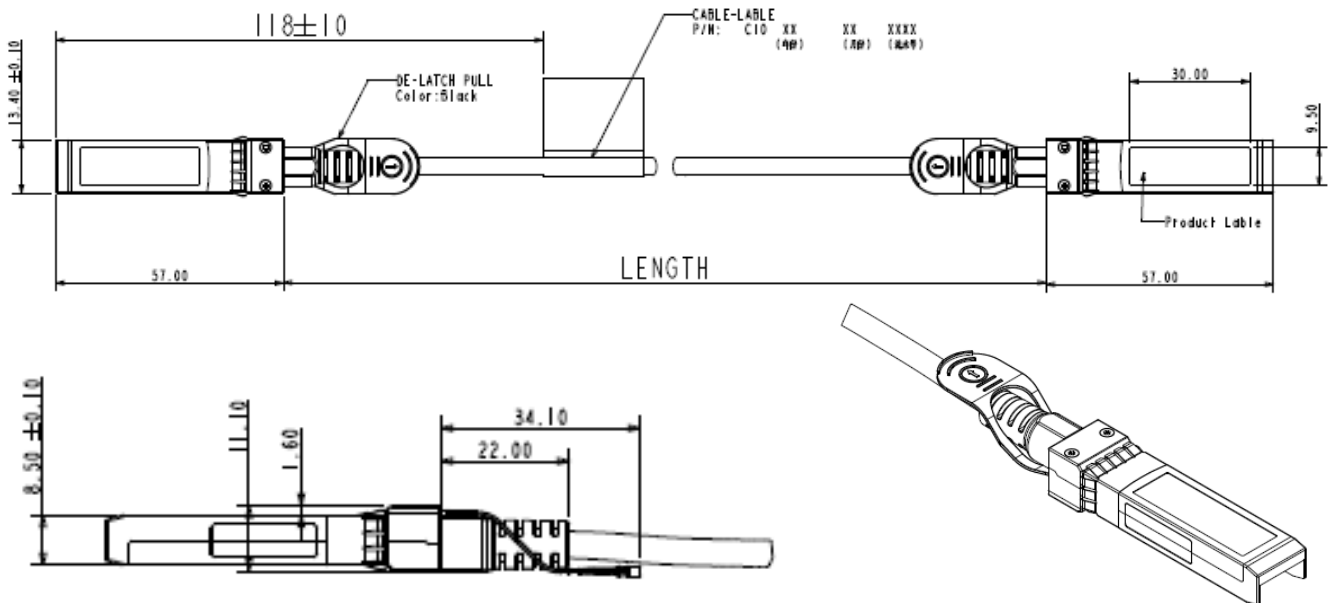


Figure1. Mechanical Specifications

References

1. Improved Pluggable Form Factor(IPF) compliant for enhanced EMI/EMC performance
2. Compatible to SFP+ MSA
3. Compatible to SFF-8431,SFF-8432

ITK Connecting Co.,Ltd.

T C